

ONEIDA RIFLE CLUB NEWSLETTER

• Oneida Rifle Club, Inc. • P. O. Box 411 • Oneida, NY 13421 •

A well regulated militia, being necessary to the security of a free state, the right of the people to keep and bear arms, shall not be infringed.

JANUARY—FEBRUARY 2011

Letter From Your President

The officers here at ORC would like to wish all members, including those newly inducted, an exciting, healthy and prosperous new year hoping all will take advantage of the many leagues and events offered here at the club. In addition to our list of future events, we, under the direction of our club chief instructor, Chris Fry, will be hosting a shooting agenda on Sunday, May 29th (Memorial Weekend) to support a war veterans' organization titled, "The Wounded Warriors". This day will include outdoor steel shooting, designed by Dan Vaillancourt, and indoor low light tactical maneuvers, designed by Lee Whyte and myself. Food and refreshments will be available on sight as will vendors selling shooting and sports related wares. All proceeds will go to this war veterans organization as a tribute to the many sacrifices they make for us as 'they give their today for our tomorrow'. . More details will follow in subsequent news letters and monthly meetings. So be informed and read your letters and attend a monthly meeting as well...Here is an interesting item to reflect upon con-

cerning the state of our State in this new year, 2011. Through history we learned our founding fathers understood that for the security of the nation, a regulated militia and a constitutional right of each citizen to keep and bear arms, is essential in keeping our democracy. Most likely the government tyranny which gave rise to the Second Amendment will not become a major threat to our nation ever again; however, being in the shadows of 9/11 and the ongoing threats from inside and outside our borders, it's the responsibility of every citizen to be ready to participate in the defense of our country. We here at the Oneida Rifle Club are the militia which one day might be called. We are citizen gun owners well trained, practiced, and proficient in the use of them. Losing the Second Amendment right would be catastrophic to our democratic process making the Constitution a mere worthless piece of paper. But in keeping up with current events on the local, and state level, I worry that something has been changing. I began to think about this as I contemplated spending my Christmas gift

certificates on a new shotgun for trap shooting. It had been more than 20 years since I purchased a long gun, so on my recent shopping adventure at the Creek Road Guns & Ammo store, I got a rude awakening. I guess I now know where the gun control supporters have been getting their information to sell their proposals which claim to reduce or prevent crime. The notorious yellow form, which had escaped my memory, must be filled out and put on file. It holds the secrets to the lives of every purchaser of long guns. Social security numbers are optional, however, it was suggested by other gun purchasers that to disclose such information might aid in a more perfect and speedy transaction. My new firearm can now be tracked to me and a trace can follow its path throughout its life - even if it is passed on to a second or third party. It seems that the BATF uses this tracking system to help law enforcement agencies identify the ownership path of individual firearms - I wonder why this same system isn't used on baseball bats and steak knives? It's my thinking that the mandatory tracking of newly purchased weapons helps with tracing them so

INSIDE THIS ISSUE:

2011 RESOLUTIONS	2
IN THE NEWS	3
GUNS & GEAR	4-5
MASSAD AYOOB	6
ORC LEAGUE	7
THE CONNECTION	8-9
CALENDAR	10-11
FEED YOUR MIND	12

that our Congress may decide to pass legislation designed to put gun shows, like those held in Syracuse which hosts many local firearms dealers, out of business. It also could use this tracing to blame states, like Virginia or Vermont that have less restrictive gun control laws, for crime that takes place in New York State which has more restrictive laws. But sadly, and even more alarming, is our willingness to go lowing into the night. Incrementally, we all adapt to the stripping of our Second Amendment right to keep and bear arms until, with the passage of time and the blinking of generational memory, we no longer remember when things were otherwise.

Ron Mandronico

Personal 2011 Goal

The new year has begun and with it you're firearm goals. If you haven't given any thought to your 2011 goals, now's the best time to start. Here are some goals that you might add to your list.

1. **Learn A New Skill**— Reload, firearm training, making a knife, emergency preparedness. Just get involved.
2. **Buy A New Firearm**—Do you dream of owning an AR15, a Glock, a Sig Saur; the list is endless, buy one. Save and then treat yourself. You will not only be investing in your tool skills, but also re-energizing your love for firearms.
3. **Join A League**—Meeting new people with like interests can bring even more enjoyment to the sport you already enjoy so much. By joining a league you accomplish several goals; meeting new people, learning new techniques, and improving your defensive skills, but most of all it gets you involved.
4. **Improve Your Shot**— You're a great shot, but you can always improve? Definitely. Find out how. Read, speak to other shooters or take additional firearm training.
5. **Mentor Someone**—You might know someone who wants to get involved, but doesn't know how to take the first step. Step up and invite the person to the club. Start with gun safety and show the person just how fun and exciting our sport is.
6. **Get Involved**— With local and state gun right issues—We must all do our part to keep the 2nd Amendment alive and well.
7. **Join The NRA**
8. **Start Collecting**—Collecting firearms is another hobby to expand your knowledge.
9. **Get Fit**— Weight lifting can improve your strength and ability to handle a firearm or effectively.
10. **Cook**—Learn a new wild game recipe that has **beer** as the main ingredient. There are many great beers on the market today that can add that extra taste you've been looking for; stouts, IPA's Logers, homebrews, experiment, experiment and experiment more. There is nothing better than cooking your favorite recipe for the people in your life. Here's one of my favorites:
 - **Venison** (any cut of meat will do, preferred is tenderloin (2), beer (your choice, I use Guinness Draft-2 cans), fresh minced garlic, course cracked black pepper, white pepper, course sea salt, fresh minced white onion, original worcestershire sauce, thick cut hickory smoked bacon, —mix ingredients together, soak the meat for 7 hours. Remove and drain. Sprinkle to taste with above ingredients. Wrap each tenderloin with bacon. Secure with toothpicks if necessary. Start your grill and bring to 450 degrees for 10 minutes (about two beers) to make sure the grill is consistently hot. Take a piece of bacon fat and rub on the grill to prevent meat from sticking. Place on hot grill. Cook to desired doneness. Serve with your favorite sides (applesauce corn bread, garlic white pepper mashed potatoes and brown sugar baby carrots), along with a room temp (90 minute Doghead ipa), can be purchased at Kreg Kegs..—Enjoy.

Gun Talk Television Debuts



Mandeville, LA – Gun Talk Television - Real Guns, Real Stories - debuts on VERSUS Friday, December 31 at 10:00 a.m. ET. Whether it's the veteran shooter who has been on the firing line for decades or the newbie who just bought her first pistol and is wondering "what's next," all shooters love to know the background story. Gun Talk Television is here to tell those stories.

A new series from the creators of Gun Talk.TV, Guns and Gear TV, and Tom Gresham's Gun Talk radio show, Gun Talk Television is here to examine everything – from the firearms you use every day and useful tips for the real world, to training schools and incredible trophy rooms. The first episode of Gun Talk Television explores the attraction, and explains how to use, the most popular rifle in America -- the AR-15.

"It's exciting to be able to bring a new genre of shooting show to television...again," said show producer Tom Gresham. "Just as I co-hosted the first television series about shooting (Shooting Sports America) on ESPN almost two decades ago, and created the first TV series about personal protection with firearms, now, with Gun Talk, we enter a new area, and I know that gun folks will love this one, too."

Gun Talk Television airs on VERSUS and VERSUS HD on Sundays at 8:00 a.m. Eastern and Fridays at 10:00 a.m. Eastern. Watch show segments and get the latest news at <http://www.guntalk.tv>.

Christie Commutes Sentence

New Jersey Gov. Chris Christie has commuted the sentence of a man sentenced to seven years in prison for transporting guns he owned legally.

27-year-old Brian Aitken was arrested, charged, and convicted in 2009 after his mother called 911 (but hung up), worried that he was distraught over not being able to spend time with his son and was considering suicide. Police eventually traced the call and found Aitken. And when they did, they also found two unloaded handguns in his trunk, which he owned legally. The guns were there, he says, because he was in the process of moving. That apparently didn't matter. "This case is the perfect storm of injustice," Aitken's attorney, Evan Nappen, told the Daily Caller last month.

Now it seems Christie agrees. On Monday the governor commuted Aitken's sentence to time already served and ordered him released as soon as it's "administratively possible."

The Daily Caller reports: New Jersey law requires residents who want to transport firearms legally to request a permit from a local law enforcement office and produce a letter stating why it is necessary for them to carry a gun.

Aitken's attorney argued that his client was innocent of any offense because the firearms were legally purchased (at a Bass Pro Shop), properly stored, and unloaded. And though New Jersey has some of the strictest gun laws in the country, Aitken's attorney said his client did not violate any law because he was in the middle of moving residences between two states. Nonetheless, Aitken was sentenced to seven years in prison in August. His supporters say the judge refused to accept evidence supporting his defense. He was convicted of the same kind of felony a criminal who had bought guns with intent to commit a crime would have faced.

Aitken moved from Colorado, where gun laws are much more reasonable, to New Jersey after separating from his wife in 2008. His original plan was to be closer to his son. Now that seems possible.

To disarm the people is the best and most effectual way to enslave them." ~George Mason

The SR9c compact pistol weighs in at 23.40 oz. and features an overall length of 6.85", a height of 4.61", and the same slim 1.27" grip width (across safety levers) as the full-sized SR9. It comes with two magazines that provide options in both capacity and grip size. The standard magazine holds 10 rounds and features a flat bottom butt plate; a finger grip extension floor plate is also included. The second magazine features a grip adapter and holds 17 rounds, instantly transforming the smaller, compact grip into a full-sized 9mm grip. The 3.50" barreled pistol features an integral accessory rail that accommodates most lights and lasers. The SR9c compact pistol utilizes the same adjustable, high-visibility 3-Dot sight system as its full-sized predecessor, setting it apart from many compact pistols that rely on fixed sights. New serrations are located on the front portion of the slide, making it easier to both manipulate the slide and to press check the chamber. The SR9c is available with a glass-filled nylon frame and through-hardened slide in either a brushed stainless or blackened finish. State compliant variations are available where necessary and ship with two 10-round magazines. Just like the original, full-sized SR9, the SR9c is loaded with modern safety features like a 1911-style ambidextrous manual safety, internal trigger bar interlock and striker blocker, trigger safety, magazine disconnect, plus a visual and tactile loaded chamber indicator. **Suggested retail price: \$525.**



All Models:	
Caliber:	9mm Luger
Grip Frame:	Black, High Performance, Glass-Filled Nylon
Length:	6.85"
Height:	4.61"
Width:	1.27"
Weight:	23.40 oz.
Grooves:	6
Barrel Length:	3.50"
Twist:	1:10" RH

SR9c Holster Compatibility

Bianchi:

- Thumbstrap Size 13 (7001)
- Thumbstrap Duty Size 13 (7115)
- Universal Military (UM8411)
- Minimalist Size 13/15 (105)
- CarryLok Size 11 (82)
- Professional Size 11 (100)



Galco:

- SR9 Cop 3 Slot (LH) (50055)
- SR9 Cop 3 Slot (50066)

Fobus:

- SR9 Holster
- SR9 Holster

Hunter:

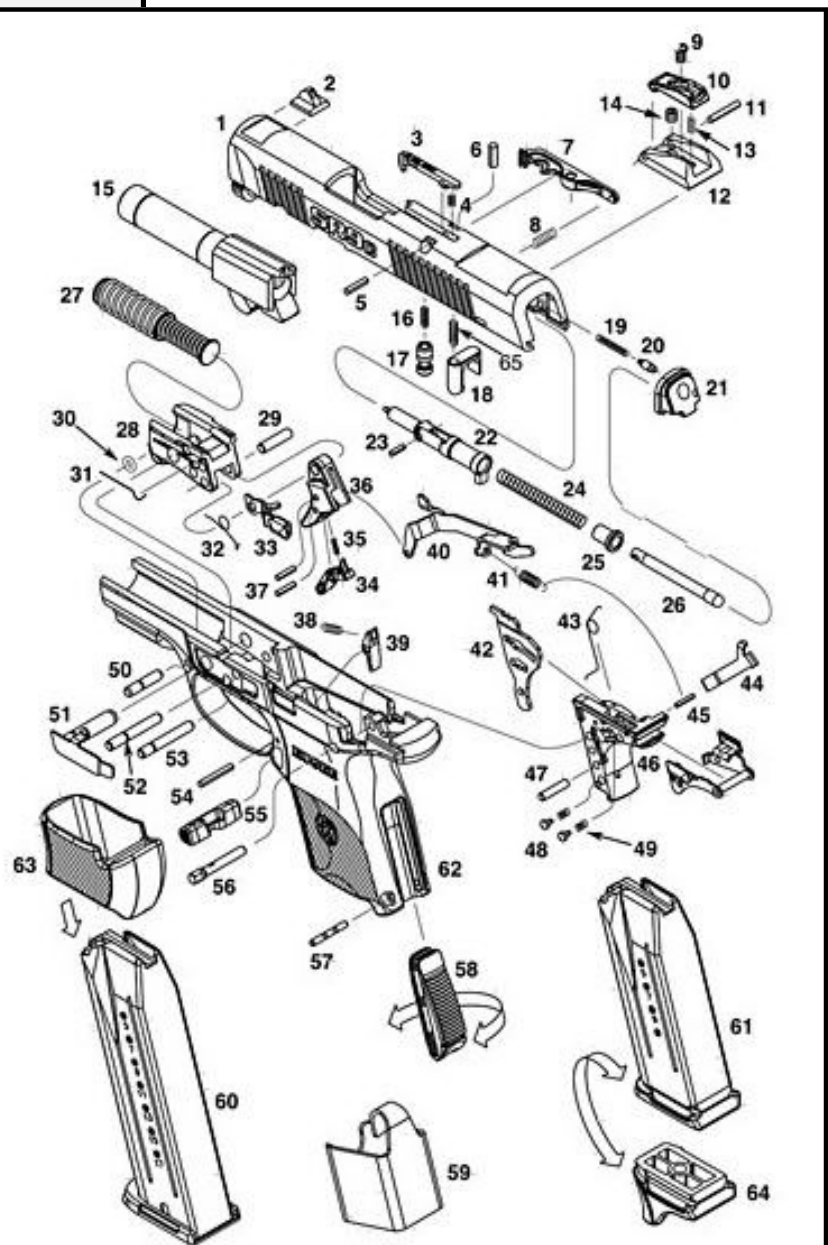
- Belt Slide (5029)
- Open Top (50070)
- Hunter High Ride
- Shoulder (5129)
- Inside Pant #13 (1300)

Mitch Rosen:

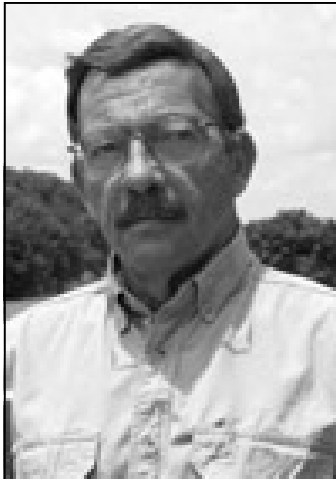
- SR9 Leather (50073)
- SR9 Holster (LH) (50217)

Uncle Mike's:

- Nylon Size 15 (9812)



SEE IT FOR YOURSELF AT: <http://www.ruger.com/products/sr9c/index.html>



Hope all y'all's Christmases went well. Spent mine at home base, and was reminded how good it is to be among those people with solid core values who constitute what some call The Gun Culture. Christmas Eve was spent at a small dinner party with friends, among whom the armed far outnumbered the unarmed. Dress code was "chilly weather casual," and when the coats came off it was apparent that the hosting residence would be the worst possible target for home invaders. Among just the ladies I counted an open-carried, engraved Smith & Wesson Performance Center 9mm, a 20-shot Springfield Armory XDm 9mm, and a snub-nose .38 or two. One sweet grandmother was carrying a Kel-Tec P3AT .380 automatic in the pocket of her jeans. The next morning, she would discover a more powerful +P-rated Smith & Wesson Model 642 Airweight .38 Special snubby under the Christmas tree, a gift from her loving husband of many years.

Among the guys present, our host was open-carrying a fancy custom Browning Hi-Power 9mm. He was wearing it for sentimental reasons: it was the first gun his wife gave him after they were married. (Most of the time, he wears a Springfield XD chambered for .357 SIG, these days.) The oldest among us generally has a Charter Arms .38 in his pocket, and the second oldest was wearing a customized Colt Government Model he's had for some 35 years. There was a father-son pair carrying Glocks, chambered for .357 SIG and 9mm respectively. Two of us were wearing S&W Military & Police Compact autos discreetly concealed, one in 9mm and mine in .357. Another fell a figured on an evening of peace on Earth and good will toward men, he could get by with just a five-shot S&W in his pocket. No one complained; some of the other guys were carrying the same guns for backup. One lone male was ostensibly unarmed, but we figured we had enough spares to cover for him...

What would the police have thought? Well, not counting off duty LE presence at the party, three uniformed officers showed up after their day shifts ended, to shoot on the adjacent privately-owned range to verify sights and "zero" with their AR15s. All were wearing their duty side-arms, of course, and none blinked at the hardware on display at the party. Cops generally know who the good people are, as surely as they know who the bad guys are.

Many of us at that party found guns under the Christmas tree the next morning. It's a gift that speaks of a giver who trusts the recipient, and that's not something that comes out of every beribboned package. From Ralphie's Red Ryder BB gun in the classic film "A Christmas Story," to your own first .22 under the tree long ago, to which ones you received or gave this year...please share with us YOUR "Christmas Gun" stories!"

1000's of Iowa Gun Owners Apply for Carry Permits

Iowa --(Ammoland.com)- January 1st marked the first day Iowa officially became a shall carry state. Under the new law, permits to carry weapons only can be denied if the applicant is a felon or if they have been through some sort of mental health commitment process. Previously, Iowa sheriffs had the discretion to deny permits if a background check turned up something of concern, such as a history of substance abuse. Applicants also had to meet shooting qualifications. Now that those restrictions are gone, interest in obtaining permits to carry weapons, which no longer mandate the gun be concealed, has reached an all time high in just one day. Multiple reports have long lines at every sheriff office in Iowa.

"The only reason people would be shocked is due to the simple fact that our rights have been stomped on for so long, we've forgotten what it means to exercise them. But again, that is no different than the battles that took place in every other state that went down this path before Iowa. Furthermore, most law-abiding citizens prefer to carry their weapons concealed, so how would people even be alarmed by seeing a "loaded pistol" when that pistol is properly concealed? Said Des Moines Gun Rights Examiner, Sean McClanahan

Some local officials, prompted by concerns over the new law, are considering measures to prohibit the possession of guns in courthouses, city halls and other government property. Supervisors in Buchanan and Washington counties are among those working on bans. The Iowa Attorney General's Office issued a letter to county attorneys this past week that clarified such local measures would not be in violation of the state law. It does not "bar a city or county from regulating firearms on the city or county's own property," the letter said.

But most Iowans are happy to see the expansion of rights and easing of oppressive firearms carry laws in the state.

CLOSE TO HOME : GUNNEWSDAILY.COM—VPR.NET/**What's On The Air When You're Not Listening...**

How Thousands Of U.S. Guns Fuel Crime In Mexico/ Wednesday, 01/05/11 10:19am - Fresh Air from WHY

In the past four years, more than 30,000 people have been killed by gunfire in Mexico. But the guns don't originate in Mexico. The one gun store in the country, located in Mexico City, is operated by the Mexican military and under very tight security.

Instead, the thousands of guns used by Mexican drug cartels trickle in through the United States. Since 2006, more than 60,000 of the weapons used in Mexican crimes have been traced back to the U.S.

For the past year, Washington Post reporter James Grimaldi and a team of Post reporters have been investigating the hidden life of guns, including how guns from the United States have ended up on Mexican streets. He says it's not surprising that the vast majority of weapons used in Mexico can be traced back across the border.

"We're the closest country, it's easy to get guns, it's not difficult to cross the borders with the guns when you get them, and there's very little stopping gun runners from doing that," he tells Fresh Air's Terry Gross. "The efforts by the United States and Mexican authorities have not really been a very strong deterrent in stopping the flow of guns south of the border."

Part of the problem, Grimaldi says, is straw-purchasing: when legal buyers purchase guns on behalf of illegal buyers, who remain largely untraceable.

"What is happening is dozens if not hundreds of people are going into gun stores along the border, buying guns for this trafficking and then taking them across the border," Grimaldi explains. "Those straw purchases really put the gun stores in the front lines of defending or preventing this flow of guns to Mexico."

But which U.S. dealers sell guns taken from Mexican crime scenes remains largely unknown. Though the information used to be freely available to anyone who filed a Freedom of Information Act request, the 2003 Tiahrt Amendment passed by Congress prohibits the ATF from releasing gun tracing data.

"The gun lobby -- the National Rifle Association and gun manufacturers -- went to Congress and asked them to [make gun tracing] off-limits," Grimaldi says. "It basically shut down any news stories that had been published in the past exposing where the guns were coming from -- showing which stores tended to be the ones that criminals went to buy their guns. It [also] took the focus off of those stores that were engaged either knowingly or unwittingly in gun trafficking to criminals."

But Grimaldi and other Washington Post reporters managed to break the secrecy surrounding U.S. gun dealers. In an article published in December, they revealed which 12 stores sold the most guns that eventually ended up on the streets of Mexico.

"We decided to find out which stores were selling the guns that ended up in Mexico," he says. "In many cases, the gun dealers themselves said they didn't realize they were on the top 12 list, and that's because the ATF was prohibited from telling them that. We've now told them that, and it might mean that they'll be more careful in terms of who they'll make sales to -- if someone walks in and asks for 14 AK-47s, they might ask a few more questions than they ordinarily would."

Members of The Washington Post series on guns include reporters James Grimaldi, David Fallis, Sari Horwitz and Cheryl Thompson and investigative assistant managing editor Jeff Leen.

LINK: <http://www.vpr.net/npr/132652351/?print>

Crossbreed Holsters – SuperTuck Deluxe By Chris Fry



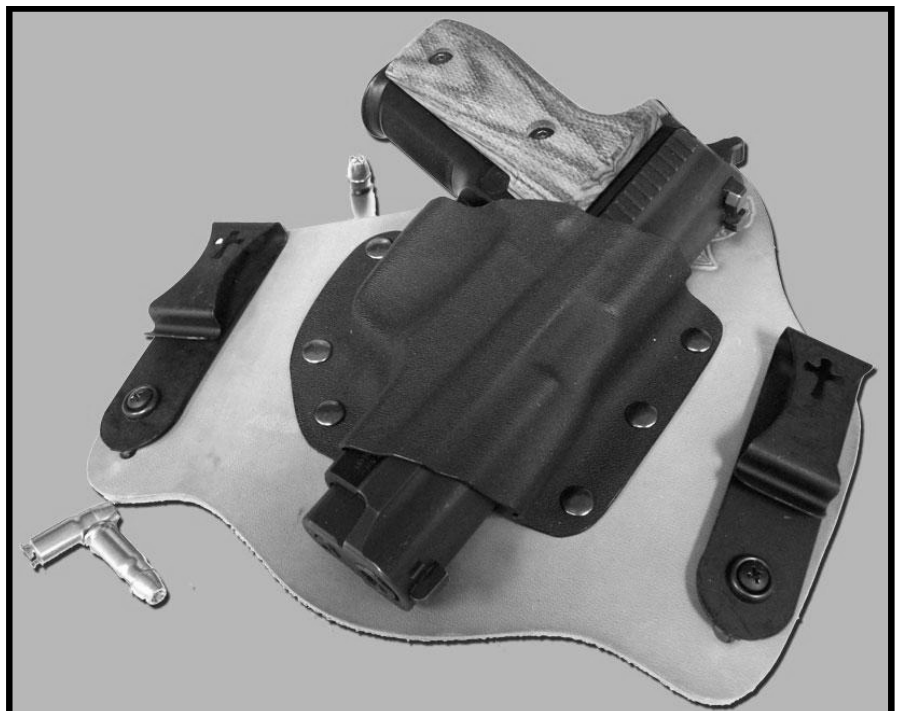
Several months ago I noticed a different holster design a student in a class was utilizing. Brofro is a member of a couple N.Y. based firearm forums and a good guy and shooter so I approached him and inquired about his holsters unique design and how much leather there was for the sweat guard. He told me the holster was the SuperTuck from Crossbreed Holsters out of Missouri and commented on how comfortable it was. In retrospect, I realized I had seen advertisements for Crossbreed in gun-rags such as S.W.A.T. and on a couple internet forums. The next day I got on the Crossbreed website and ordered one of the SuperTuck Deluxe inside the waistband holsters for my Glock 19 every day carry handgun.

Design Background. Crossbreeds owner and designer of the SuperTuck, Mark Craighead, started making holsters out of his garage in 2005. As word spread about the efficacy of his holsters “Crossbreed” grew and is now operating out of its own facility in Missouri. Being a long time shooter and CCW permit holder, Mark wanted a holster that fit all of his needs. Some holsters wear

well but are not all that durable while others are durable but not very comfortable. The Crossbreed is the perfect combination or cross-over of those two elements. A hybrid holster combining the comfort of leather and the durability and speed of kydex, the SuperTuck defines a new generation of holsters now available to shooters and CCW holders. Mark and Crossbreed hit the “X”-ring with this holster design.

Specifications-The SuperTuck Deluxe is quite large in comparison to other common inside the waistband holsters. Overall height from top edge of sweat guard to bottom is eight inches with overall width measuring eight and a half inches. This enlarged leather backer upon which the kydex holster and spring steel belt clips are attached makes the SuperTuck extremely comfortable by distributing weight across a large surface area. I ordered black cowhide but horsehide is also available for those who live a more humid climate (horsehide only comes in natural color since it doesn’t absorb dye well). My SuperTuck was good to go right out of the box but ride depth and cant are adjustable for those who want to

individualize the holster to their own specs. All the hardware is steel and spacers are in place behind the belt clips to allow easier tucking of a shirt or cover garment. One unique feature is a ¾ inch sight channel in the kydex mounted shell that fits any sight. With some kydex holsters this is a concern if you’re running some type of tall after-market front sight. A very nice feature is the holster has a standard barrel length which fits any gun in a series such as the Glock 9mm’s 26, 19 or 17. A number of clip options are available to include V-Clips, J-Hooks or a SnapLok. All Crossbreed holsters are handmade right here in the U.S.A. and the company employs seven holster makers overseen by Mark himself and several support staff





Personal Impressions-What I was most impressed with first was the shipping time. On the Crossbreed website it says to allow 2-3 weeks for shipping since they are a small custom shop but I received my SuperTuck in a little over a week. As many know this is excellent for any handmade custom holster shop. I immediately put it on my belt and worked it around to decide if the cant and depth were good for me as well as placement. I was a little worried about the steel belt clips perhaps bending out as I pushed them down over my pants and Wilderness belt but the spring steel snapped right on and held firm. The night I got it was a group training night so I threw a blue gun simulator in the holster and had one of the guys try to rip the gun and holster off my belt. It held up pretty well as long as I didn't completely relinquish control, just like any other inside the waistband holster void of a dedicated retention device.

Over the next several weeks I wore the Crossbreed for all CCW when out and about and dry-fire training time, logging a little under a hundred hours of wear. After eight straight hours in one day I noticed that evening how the leather backer was beginning to mold to the contours of my hip and torso. This factor is what really makes the SuperTuck ultra comfortable combined with the large leather surface area which dissipates any pressure from the gun itself

such as the tip of muzzle or rear of slide. I immediately noticed how fast and easy both presentation from the holster and re-holstering was. I spent a lot of time performing dry-fire and presentations and utilized it during Defensive Pistol League shoots a couple of times. In January I decided to really put it to the test during a two day Combat Focus Shooting course. Throughout that weekend I shot just under a thousand rounds and can't tell you how many times I presented my handgun and then re-holstered. The SuperTuck was like part of my hip and it had become very intuitive to draw from.

Conclusion-The Crossbreed SuperTuck is probably the most comfortable inside the waistband holster I have owned and worn, to date. It has become my every day carry holster due to its extreme comfort, robustness and speed that kydex offers. This hybridization of leather and kydex really shines and Crossbreed offers this excellent holster at an affordable price with excellent turn around from date of order to delivery. Best of all, Crossbreed offers a 10% discount to NRA members if you enter your member number at checkout. Similar discounts are available for Law Enforcement and/or Military personnel. If you're in the market for a comfortable, affordable, quality holster from a custom maker and don't want to wait four months to get it then Crossbreed Holsters is the place to go.

Super Tuck Deluxe: \$69.75 + Shipping Super Tuck Deluxe
(Discount for Military, Law Enforcement and NRA Members)

Contact:

Crossbreed via their website www.Crossbreedholsters.com

Email info@crossbreed.com or call (888) 732-5011



ORC JAN 2011

One loves to possess arms, though they hope never to have occasion for them."

Sun	Mon	Tue	Wed	Thu	Fri	Sat
						1 Range Open
2 Action Pistol League (AM) Sporter Rifle League (PM)	3 Range Open	4 Bullseye League (PM)	5 Defensive Pistol League	6 Junior League 6:30pm-9pm	7 Range Open	8 Range Open
9 Action Pistol League (AM) Sporter Rifle League (PM)	10 Club Meeting	11 Bullseye League (PM)	12 Defensive Pistol League	13 Junior League 6:30pm-9pm	14 Range Open	15 Chris Fry holding class 8am-5pm
16 Action Pistol League (AM) Sporter Rifle League (PM)	17 Range Open	18 Bullseye League (PM)	19 Defensive Pistol League	20 Junior League 6:30pm-9pm	21 Range Open	22 NRA Pistol Shooting Class 8am-5pm
23 Action Pistol League (AM) Sporter Rifle League (PM) 30 Action Pistol League (AM) Sporter Rifle League	24 Range Open 31 Range Open	25 Bullseye League (PM)	26 Defensive Pistol League	27 Junior League 6:30pm-9pm	28 Range Open	29 Chris Fry holding class 8am-5pm

Oneida Rifle Club, Inc. P.O. Box 411 Oneida, NY 13421

SCHEDULE OF EVENTS

- Monday's: Range Open
- Tuesday's: Bullseye League (PM)
- Wednesday's: Defensive Pistol League
- Thursday's: Junior League 6:30pm-9:30pm
- Friday's: Range Open

SCHEDULE OF EVENTS

- Saturday's: Range Open
- Sunday's: Action Pistol League (AM) Sporter Rifle League(PM)
- Club Meeting: Jan 10 @ 7:30 pm

ORC FEB 2011

The best we can hope for concerning the people at large is that they be properly armed."

Sun	Mon	Tue	Wed	Thu	Fri	Sat
		1 Bullseye League (PM)	2 Defensive Pistol League	3 Junior League 6:30pm-9pm	4 Range Open	5 Range Open
6 Action Pistol League (AM) Sporter Rifle League	7 Madison County Sheriff Training 10am-2pm	8 Bullseye League (PM)	9 Defensive Pistol League	10 Junior League 6:30pm-9pm	11 Range Open	12 Basic Pistol Class 9am -5pm With Chris Fry
13 Action Pistol League (AM) Sporter Rifle League	14 Annual Club Meeting	15 Bullseye League (PM)	16 Defensive Pistol League	17 Junior League 6:30pm-9pm	18 Range Open	19 Pistol Permit Class 9am -5pm
20 Action Pistol League (AM) Sporter Rifle League	21 Range Open	22 Bullseye League (PM)	23 Defensive Pistol League	24 Junior League 6:30pm-9pm	25 Range Open	26 NRA Basic Pistol Shooting 8am-5pm
27 Action Pistol League (AM) Sporter Rifle League	28 Range Open					

Oneida Rifle Club, Inc. P.O. Box 411 Oneida, NY 13421

SCHEDULE OF EVENTS

- Monday's: Range Open
- Tuesday's: Bullseye League (PM)
- Wednesday's: Defensive Pistol League
- Thursday's: Junior League 6:30pm-9:30pm
- Friday's: Range Open

SCHEDULE OF EVENTS

- Saturday's: Range Open
- Sunday's: Action Pistol League (AM) Sporter Rifle League (PM)
- Club Meeting: Feb 14 @ 7:30 pm
- April 11th Range for NYSTOA

LINKS OF INTEREST

- Gunsandgeartv.com
- Backwoodshome.com,
- Galleryofguns.com,
- Nssa-nsca.com
- Projectchildsafes.com
- Handgunlaw.us
- Powderinc.com
- gunowners.com

PROUD SPONSORS

(315) 697-3365

Firearms repaired



Gun Safes

7392 Oxbow Rd.

Canastota, NY 13032

Handguns • Long Guns • Reloading Supplies
We Issue Hunting & Fishing Licenses

Phildons Service Center

*NYS SPORTING LICENSES
*ROD & REEL PARTS & REPAIR
*BAIT & TACKLE *GUNS-AMMO

363-2722

3783 Prospect St. Oneida, NY

Mike's Olde Tyme Rifles

*Guns *Ammo
*Muzzle Loaders & Accessories
*Gun Repairs for all Rifles & Shotguns

Oneida Fur & Trap Supply

Jim Ward (315)-363-2913
NYS Wildlife Control
386 Williams St.
Oneida, NY 13421

Buying Used Traps
Deer Hides & Fur

Open 6 pm to 8:30 pm Fri, Sat, Sun
Oct 15 - Feb 15
Off Season by Appointment only

Selling Traps & Trapping Supplies

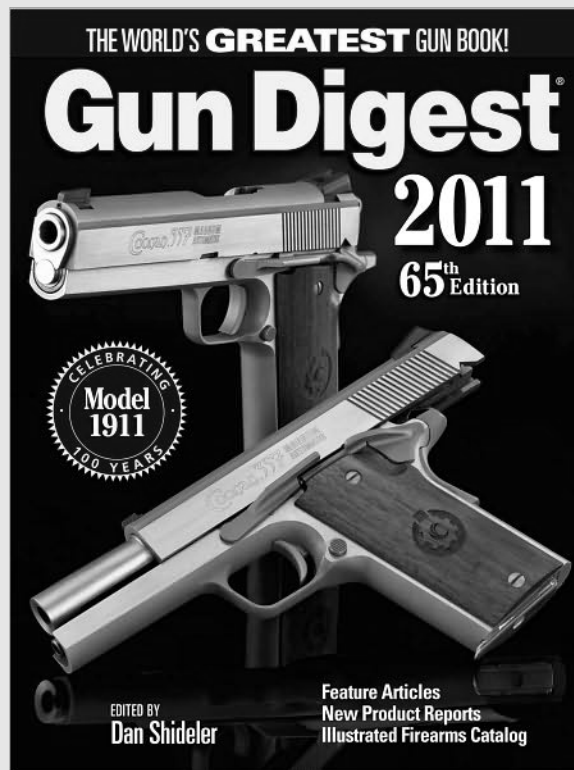


www.MDTSTRaining.com

Modern Defensive Training Systems, LLC
PO BOX 323
New Hartford, NY

Chris Fry - Director
(315) 404-1923
CFry@mdtstraining.com

FEED YOUR MIND



Overview Gun Digest 2011

by Dan Shideler

NEW FROM BN.COM

\$32.99 List Price

\$20.57 Online Price

Product Details: Pub. Date: August 2010, Publisher: KP Books, Format: Paperback, 568pp, Sales Rank: 13,664, ISBN-13: 9781440213373

ISBN: 1440213372

BIGGER. BETTER. MORE OF WHAT YOU WANT!

IT'S GUN DIGEST 2011!

THE WORLD'S GREATEST GUN BOOK SINCE 1944

Long regarded as the shooter's best resource, Gun Digest is jam-packed with the kind of entertaining information on guns and shooting that you just won't find anywhere else. From in-depth field reports on the newest guns and gear to fascinating discussions of collectible arms, you'll find it in Gun Digest 2011.

IT'S ALL HERE! Rifles, Handguns & Shotguns Engraved & Custom Guns

Ammunition Air Guns Gunsmithing Supplies Black Powder

Women's Products

So join us this year as we take a fond look at the greatest handgun of all time, the 1911, on its 100th birthday – and discover other great guns along the way!

Biography

Dan Shideler is the editor of Standard Catalog of Firearms, Modern Gun Values, The Official Gun Digest Book of Guns & Prices and several other firearms-related titles. He lives in northern Indiana.

"Arms in the hands of citizens may be used at individual discretion in private self defense."

~John Adams

A Final Note...Indoor Range Information

Courtesy and common sense, along with the basic rules of safe gun handling, should prevail.

Treat all guns as loaded and point them in a safe direction; keep your finger off the trigger until

ready to shoot; know your target and what is beyond. In the range, this means the target carrier

should be in the holder at the backstop when you shoot. If practicing defensive shooting and

wishing to shoot at short range, you have to move the target all the way down and move forward

of the booths to shoot. The wall is marked at various distances, especially 7 yards (21 feet) a

normal defensive range. Common sense says that all shooters should be at the same distance.

Courtesy says that if multiple shooters are using the range and some want to shoot at 50 feet,

everyone should be shooting from the 50 foot booths. Try to pick an odd time of day if you desire

to shoot down range. If the targets are not run to the backstop, the bullet impact will be on the

floor or the beams at the base of the curtain. This can cause ricochets and mangled bullets, some

of which are found laying around the range. Also, try to stay in line with the position you are shooting as

the backstop only covers the back wall, and if shooting sideways, the bullets will damage the wall and

the turning target counterweights.

One other thing to keep in mind is that the ballistic curtain is tough and

low velocity rounds sometimes

do not penetrate. This can be worse in the area of repairs where the curtain is doubled. Low target velocity

38 specials and air rifle and BB gun shots can be fired back at the shooter like a slingshot. If one hears a thud

after shooting, it is possible the curtain has fired back. Shoot those rounds outdoors and load more powder

next time. This is the reason air rifles are not allowed in the range. Shooting glasses should always be worn

for protection from split or ejected hot casings.

Lights

The 4 switches on the left in the range control the booth and target lights. If there are only 2 or 3 shooters, please to use only the lights on one side of the range

Heat

If heat is desired and there is more than one shooter, turning the upper timer switch above the light switches will turn on the heat.

Try not to turn it on for too long if almost ready to leave. Do not touch the thermostats in the shooting range.

Ventilation

The lower timer switch above the light switches controls the down range blower that sucks air out

above the targets.

Turn the timer on then turn the high/low switch to high and either leave it there or turn it to low if that is all that's needed.

Anybody wanting better ventilation or if the range is really smokey, pull the wooden panel off the wall above the

light switches, take the insulation panel out and crack the window open by adjusting the pin in the side of the window

frame to the opening they want. This gives a flow of fresh air from behind the shooter making the blower much more

efficient. The timer located on the side wall by position 10 runs a middle of the range blower which is good if shooting

from the booths, but not if shooting from down range. Please close the range door keep the dust and fumes out of the meeting room.

Failure to follow the rules could lead to higher membership fees or expulsion from the club.

Remember...Courtesy and Common Sense, along with the basic rules of safe gun handling, should prevail.